



1115 Hilltop Drive, Unit B1 • Itasca, Illinois 60143-1151 USA

(888) TUFPADS
 (630) 775-0900 • Fax: (630) 775-0903
 bls@tufpads.com

www.TUFPADS.com

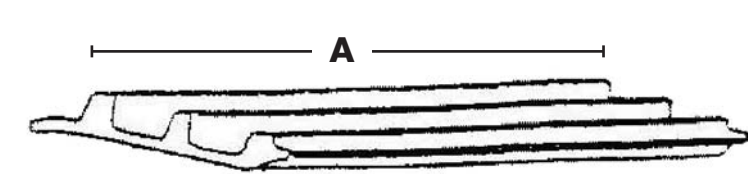
**Artliner - BLS
 Bolt On & Clip On
 Rubber Track Pads**

TRACK PAD WORKSHEET

Please measure and report ALL dimensions possible in order to confirm which pad best suits your steel grouser shoes.

WHY WE ASK OUR CUSTOMERS TO TAKE MEASUREMENTS OF STEEL GROUSER SHOES. There are many variations in steel grouser shoes in the marketplace. Even two machines of the same make and model may not have the same shoe plate dimensions. Also, your machine may have worn down the steel grousers to some degree, therefore changing the overall dimensions of the grouser shoes.

MEASUREMENTS: _____ MACHINE MAKE: _____ MODEL #: _____



A = _____ (inch or mm) Grouser Width

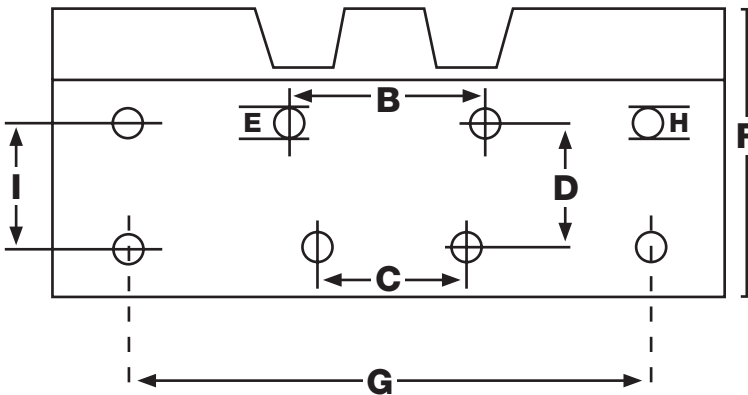
B = _____ (inch or mm) Distance between the centers of the top set of holes

C = _____ (inch or mm) Distance between the centers of the bottom set of holes

D = _____ (inch or mm) Vertical distance between centers of both sets of holes

E = _____ (inch or mm) Bolt-hole diameter

F = _____ (inch or mm) Front to back distance



NOTE: G, H, & I are not necessary if you don't have a second set of bolt holes (exterior set of bolt holes) to drop bolt-on track pads into. If you order bolt-on pads, you will have to drill this secondary set of holes.

G = _____ (inch or mm) Horizontal distance between centers of exterior bolt holes

H = _____ (inch or mm) Secondary holes diameter

I = _____ (inch or mm) Vertical distance between centers of exterior bolt holes

J = _____ (inch or mm) Inside distance between front and back grouser tips

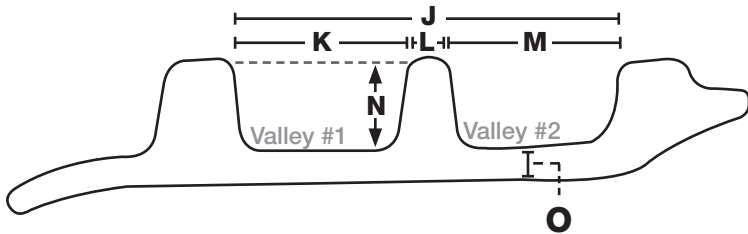
K = _____ (inch or mm) Inside distance between front and second grouser tips

L = _____ (inch or mm) Middle grouser tip width

M = _____ (inch or mm) Inside distance between the middle and 3rd grouser tips

N = _____ (inch or mm) Inside depth of the "valleys"

O = _____ (inch or mm) Shoe plate thickness



CONTACT PERSON: _____ COMPANY: _____

BLS SALES REP: _____

NOTE: This worksheet supercedes any quotation you may have received. Quotes are **NOT** final until you receive confirmation that a track pad matches the dimensions you provide with this worksheet. You should receive a confirmation between 24 - 48 hours. Thanks so much from the opportunity to earn your business.

